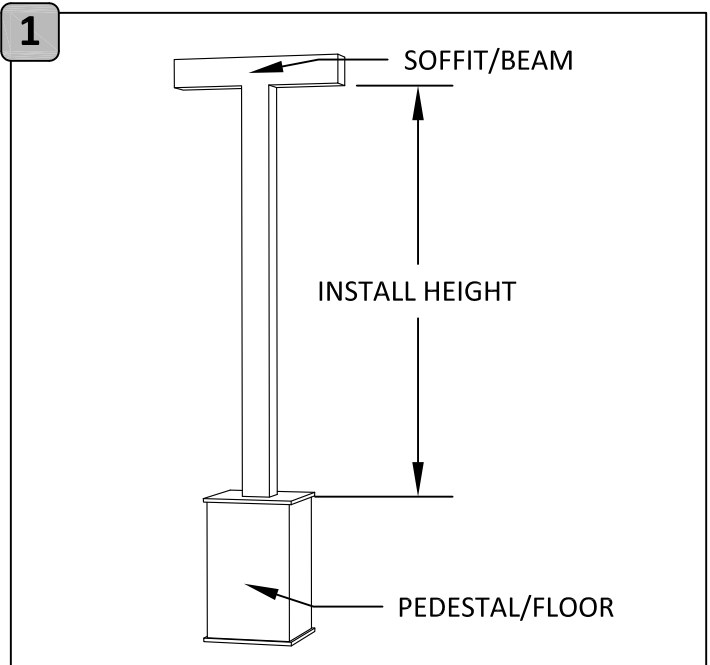
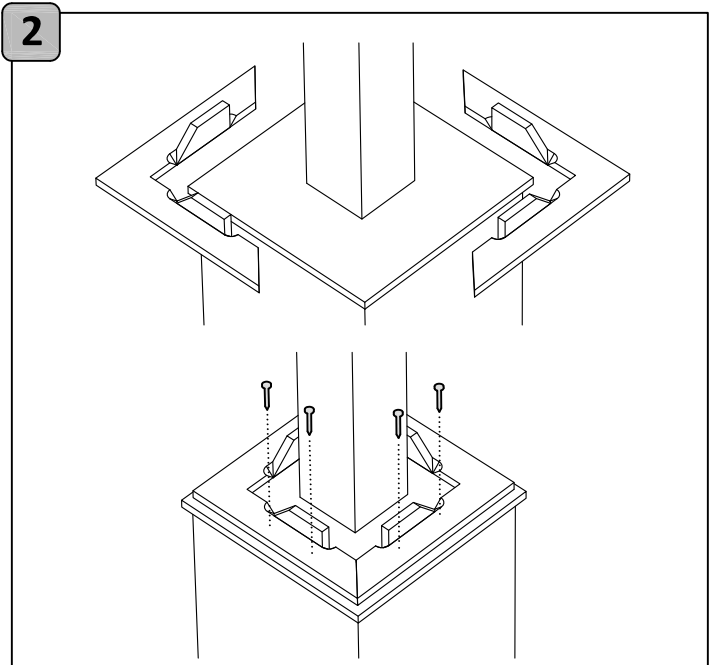


# Tapered Column Installation Instructions



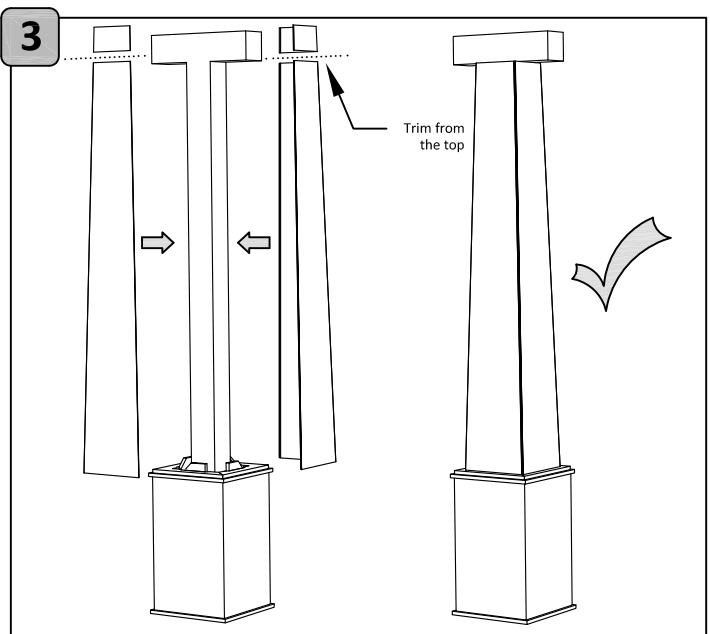
**Installation Preparation**

A. Ensure structural post and mounting positions are sound, straight, and plumb.



**Install Base**

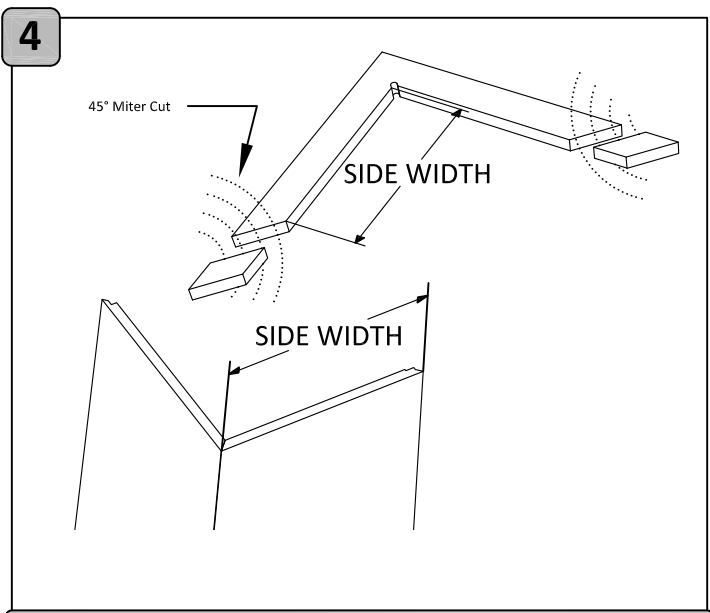
A. Center both halves of the base around the post and attach to the floor or pedestal. Locate nails or screws so that they will be covered once the column and trim are installed (near the inside edge).



**Trim and Position Column**

A. Determine the gap between the installed base and the soffit or beam - measure and trim the column halves from the TOP appropriately to fit the opening.

B. Position the column in place to ensure a proper fit and that the centering is correct.



**Cap Preparation**

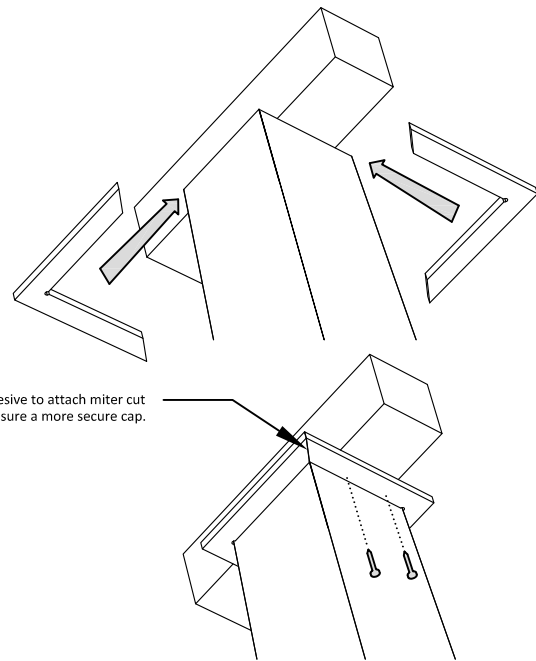
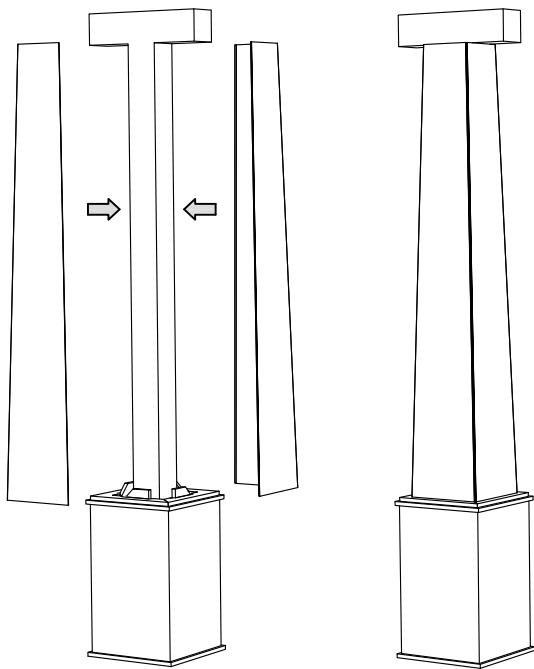
A. Once the column is trimmed, measure the side width at the top. This will determine the inside cut dimension for the top cap.

B. Trim the top cap appropriately - the inside dimension should be left 1/16" long to ensure a proper fit.

# Tapered Column Installation Instructions



5

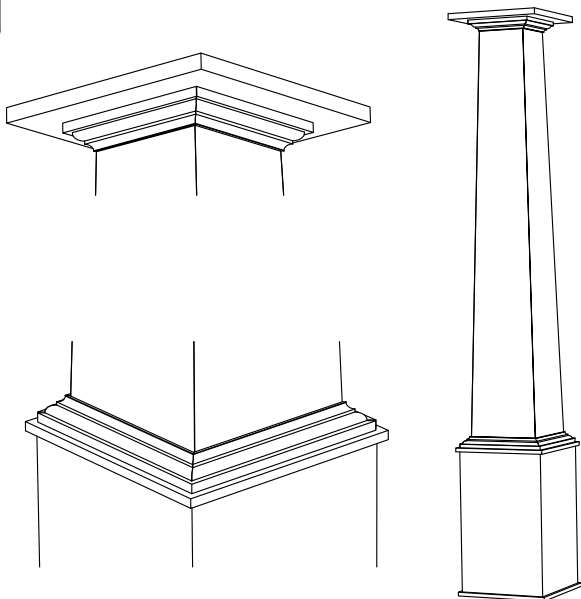


Tip: Use adhesive to attach miter cut faces to ensure a more secure cap.

## Install Column and Cap

- Set column halves in position and affix to each other and the base using the supplied adhesive.
- Position the cap in place around the top of the column and affix to the soffit or beam and the column. Locate nails or screws so that they will be covered by trim after installation (near the inside edge).

6



## Install Trim

- Using the supplied trim sections, determine and cut appropriate mitered sizes to fit around the top and bottom of the column against the cap and base plates.
- Attach prepared trim sections to the column and caps to secure in position.

For additional information,  
visit our website at  
[www.intexmillwork.com](http://www.intexmillwork.com)  
or contact us at:  
(856) 293-4100